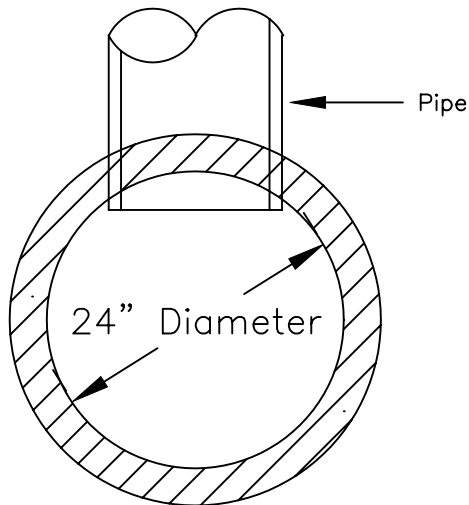


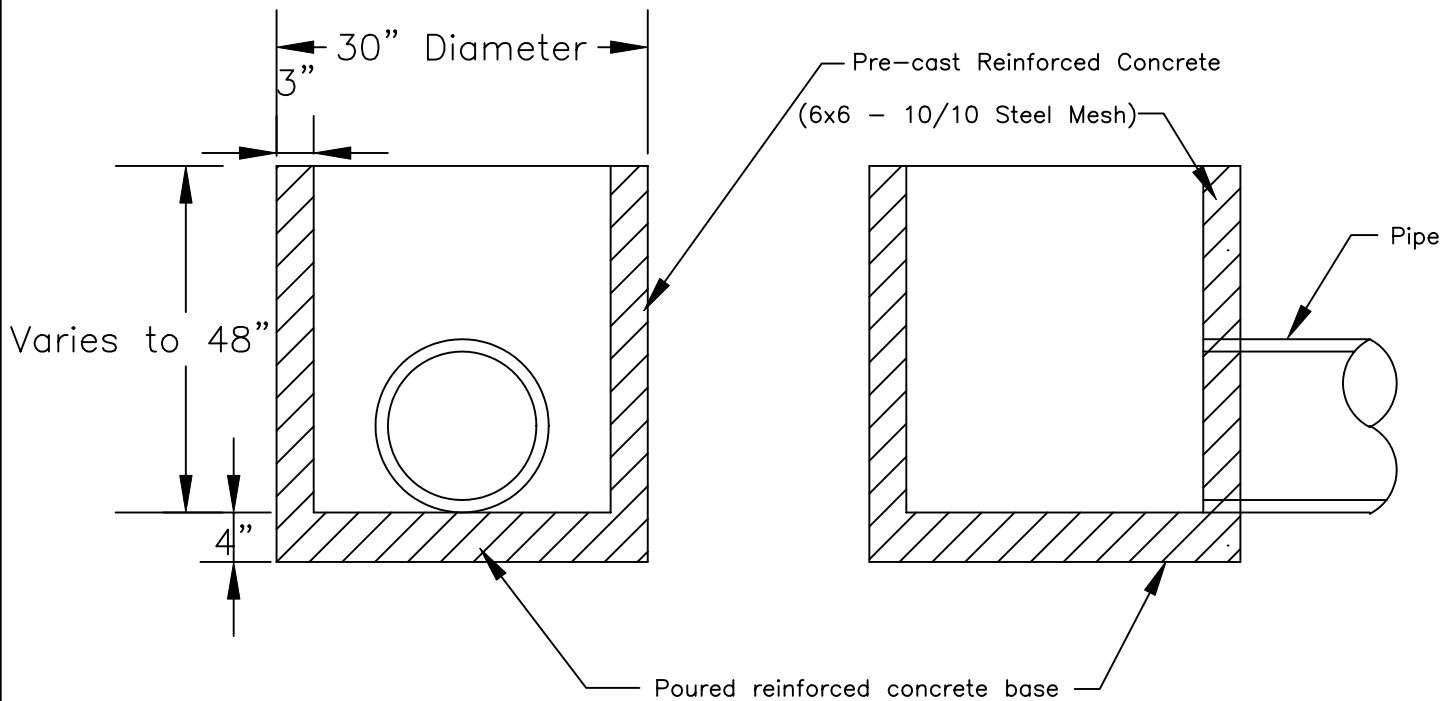
**WEIGHTS:**  
4' Height = 1415 #

NOTE: Reinforcing steel  
.12 in<sup>2</sup>/ L.F. (Minimum)



**Notes:**

1. All concrete to be a minimum of 4500 psi @ 28 days.
2. Manufactured in accordance with ASTM C-478 and INDOT Spec. 907.04.
3. Manhole joints to be Tongue and Groove with Butyl Rubber sealant or o'ring per ASTM C-443.
4. Manhole steps are 1/2" Steel Reinforced with polypropylene plastic coating at 12" to 16" spacing.
5. Lifting holes require plugging before testing.
6. Pipe Connections available are PSX Boots, A-Lok or Non-Shrink Grout by Contractor.
7. Pre-poured inverts are available on request.
8. All reinforcing steel meets or exceeds ASTM C-478.
9. Base section comes standard with 6" monolithic base. Separate base and Flat Top is available on request. Base section is to be set per job specifications.



PRECAST CONCRETE

24" DIA. INLET

MIDWEST **M** TILE &  
CONCRETE PRODUCTS, INC.

4309 Webster Road  
Woodburn IN 46797  
Phone: (260) 749-5173  
Fax: (260) 493-2477

6209 Ardmore Ave  
Fort Wayne IN 46809  
Phone: (260) 478-9098  
Fax: (260) 478-6738

Drawing Name: 24-in.DWG

Date: 3/1/2002

Drawn by Paul Tucker

Checked By: Dan Chiles