

WEIGHTS:
 4' Height = 4500#
 Additional 1' of Height = 900#

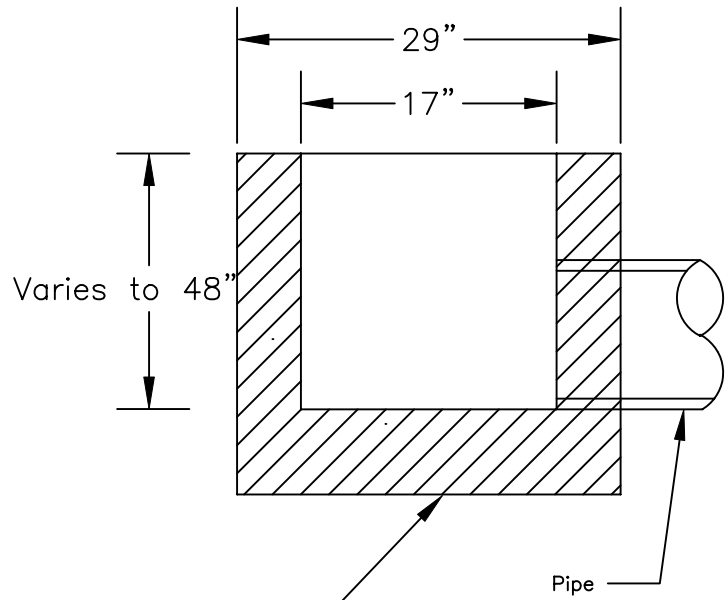
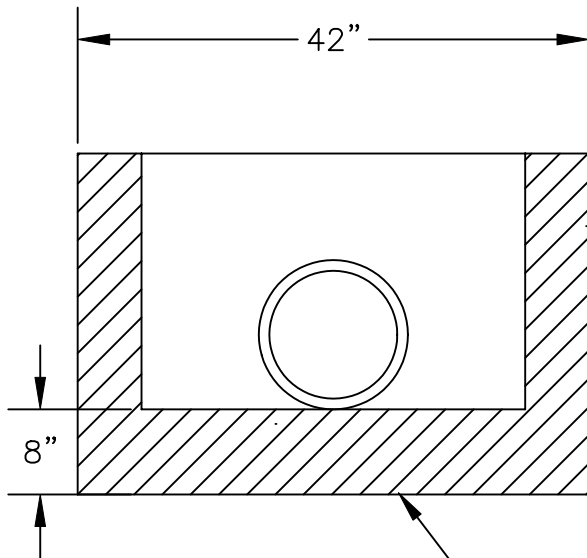
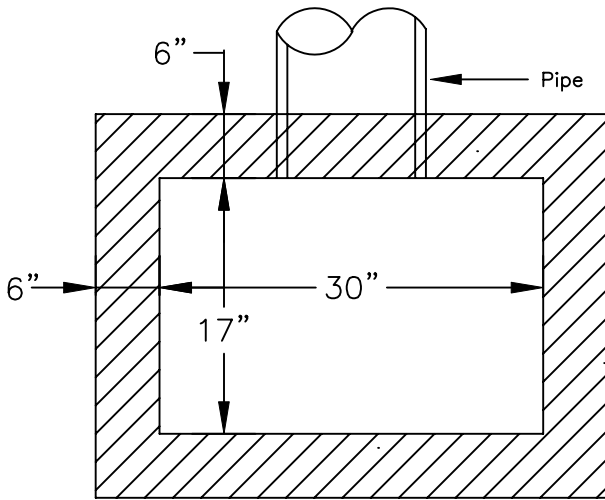
NOTE: Reinforcing steel as per
 INDOT Specifications

Minimum 4500 PSI Concrete

INDOT Type R Per INDOT Spec. 907.04

Notes:

1. All concrete to be a minimum of 4500 psi @ 28 days.
2. Manufactured in accordance with ASTM C-478 and INDOT Spec. 907.04.
3. Manhole joints to be Tongue and Groove with Butyl Rubber sealant or o'ring per ASTM C-443.
4. Manhole steps are 1/2" Steel Reinforced with polypropylene plastic coating at 12" to 16" spacing.
5. Lifting holes require plugging before testing.
6. Pipe Connections available are PSX Boots, A-Lok or Non-Shrink Grout by Contractor.
7. Pre-poured inverts are available on request.
8. All reinforcing steel meets or exceeds ASTM C-478.



Poured reinforced concrete base

PRECAST CONCRETE

MIDWEST **M** TILE &
 CONCRETE PRODUCTS, INC.

Drawing Name: 17x30-in.DWG

Date: 3/1/2002

Drawn by Paul Tucker

Checked By: Dan Chiles

17" x 30" INLET

4309 Webster Road
 Woodburn IN 46797
 Phone: (260) 749-5173
 Fax: (260) 493-2477

6209 Ardmore Ave
 Fort Wayne IN 46809
 Phone: (260) 478-9098
 Fax: (260) 478-6738