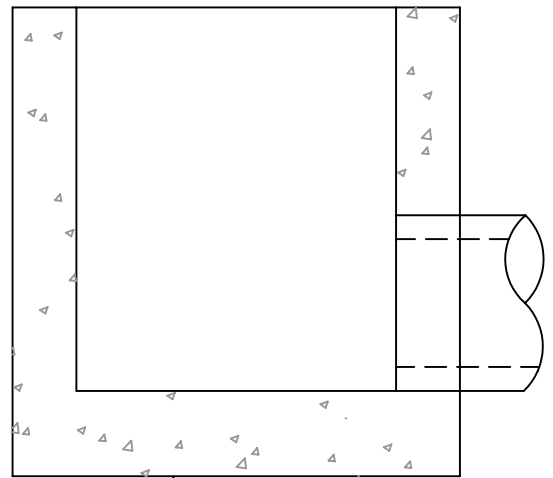
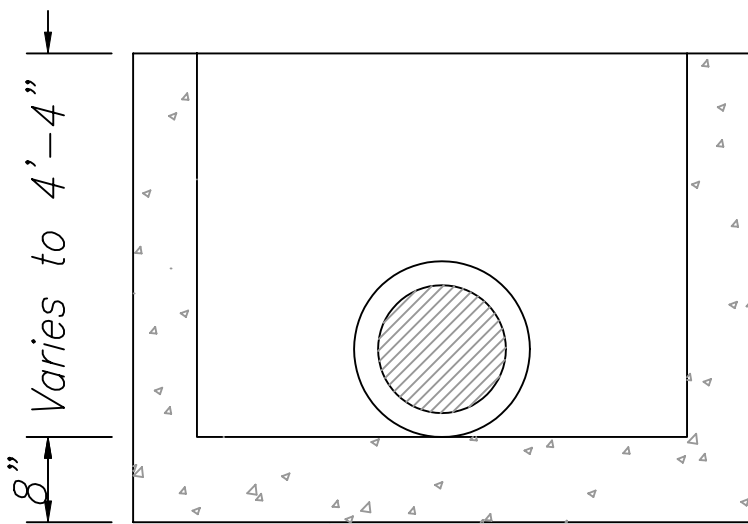


<b>WEIGHTS:</b>
Per Foot of Height = 1100#
Poured Base = 1700#

*Note: Reinforcing Steel as per  
INDOT Specifications*

*Minimum 4500 PSI Concrete*

*INDOT "B" or "C" per INDOT  
Spec. 907.04*



— Poured Reinforced Concrete Base —

**PRECAST CONCRETE**  
**30" x 46"**  
**RECTANGULAR INLET**

**MIDWEST M TILE &**  
**CONCRETE PRODUCTS, INC.**

4309 Webster Road  
Woodburn IN 46797  
Phone: 219-749-5173  
Fax: 219-493-2477

6301 Ardmore Ave  
Fort Wayne IN 46809  
Phone: 219-478-9098  
Fax: 219-747-7590

Drawing Name: 30x46-in.dwg

Date: 8/3/99

Drawn By: Paul Tucker

Checked By: Al Crosland