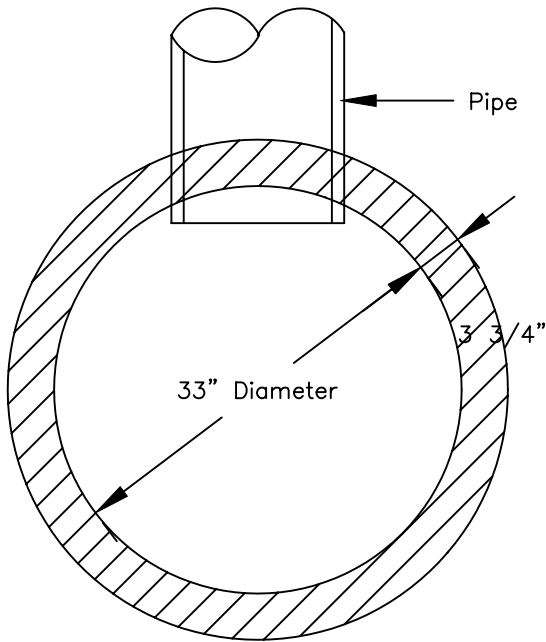
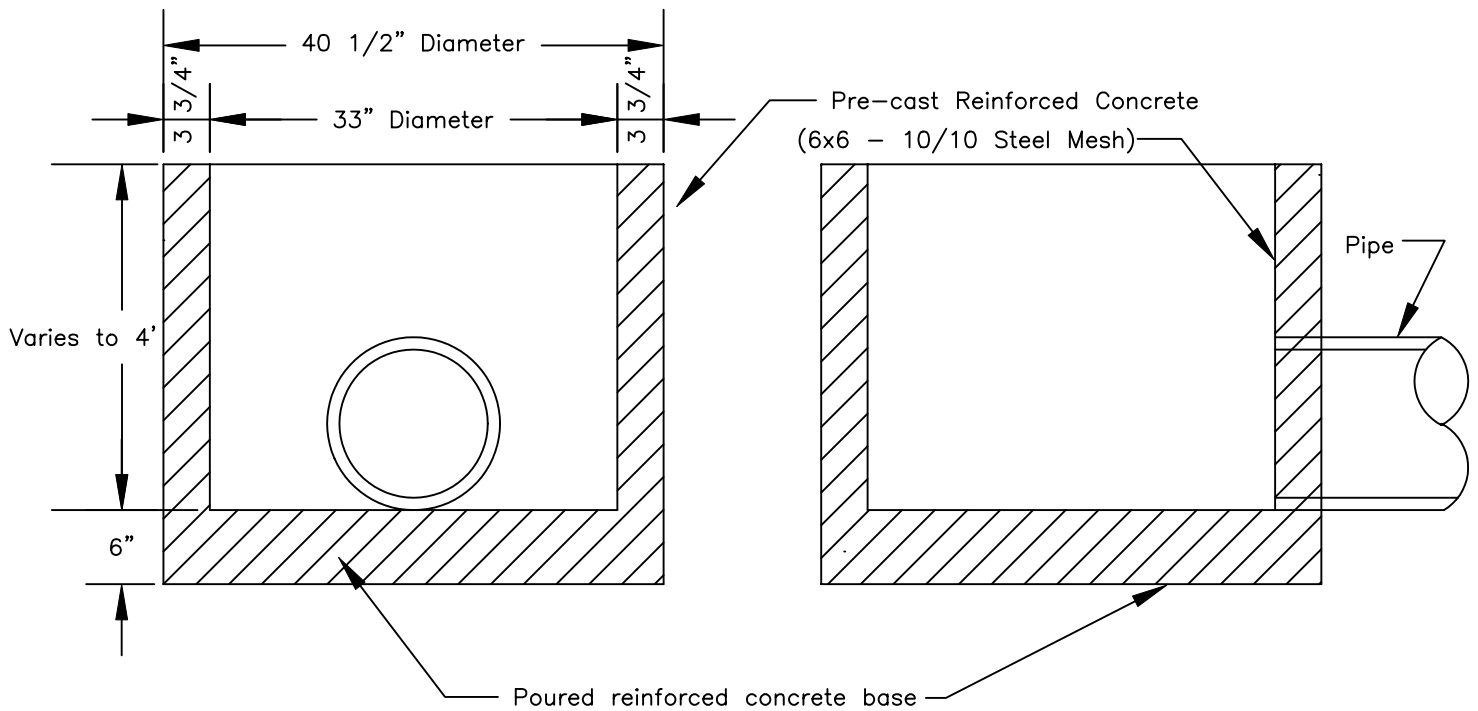


WEIGHTS:
 4' Height = 2110#



NOTE: Reinforcing steel
 .12 in² / L.F. (Minimum)

Minimum 4500 PSI Concrete



PRECAST CONCRETE

33" DIAMETER INLET

MIDWEST **M** TILE &

CONCRETE PRODUCTS, INC.

4309 Webster Road
 Woodburn IN 46797
 Phone: 219-749-5173
 Fax: 219-493-2477

6301 Ardmore Ave
 Fort Wayne IN 46809
 Phone: 219-478-9098
 Fax: 219-747-7590

Drawing Name: 33-IN.DWG

Date: 3/3/04

Drawn By: David Miller

Checked By: Paul Tucker