

WEIGHTS:

4' Height = 4820 #

Additional

1' of Height = 900 #

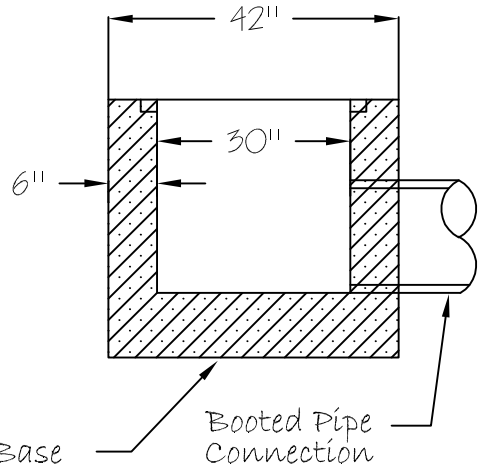
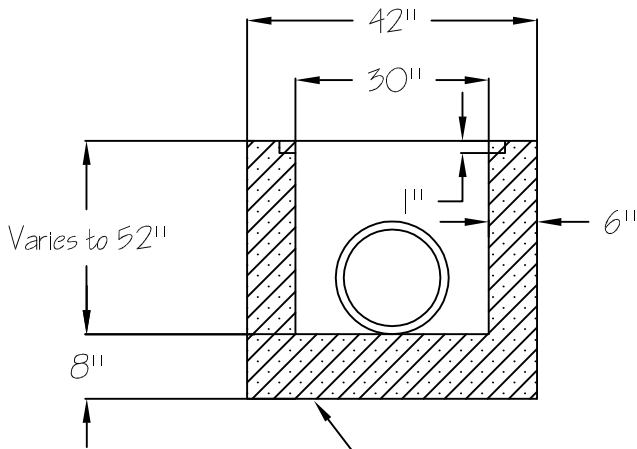
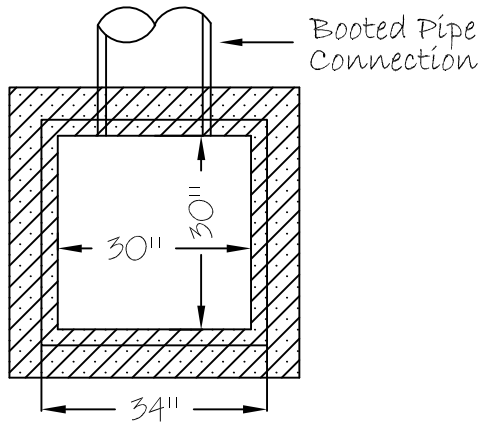
Notes:

1. All concrete to be a minimum of 4500 psi @ 28 days.

2. Manufactured in accordance with INDOT Spec. 907.04.

3. Pipe Connections available in PSX Boots.

4. Available with a notch in the top to accept a grate.



Poured Reinforced Concrete Base

PRECAST CONCRETE

30"X30" SQUARE INLET



4309 Webster Road
Woodburn IN 46797
Phone: 260-749-5173
Fax: 260-493-2477

6209 Ardmore Ave
Fort Wayne IN 46809
Phone: 260-478-9098
Fax: 260-478-6738

Drawing Name: 30"X30".DWG

Date: 3/4/13

Revised: 3/4/13

Drawn by: Kyle Rothenbuhler

Checked By: Jeff Kiess

WEIGHTS:

4' Height = 4820 #

Additional

1' of Height = 900 #

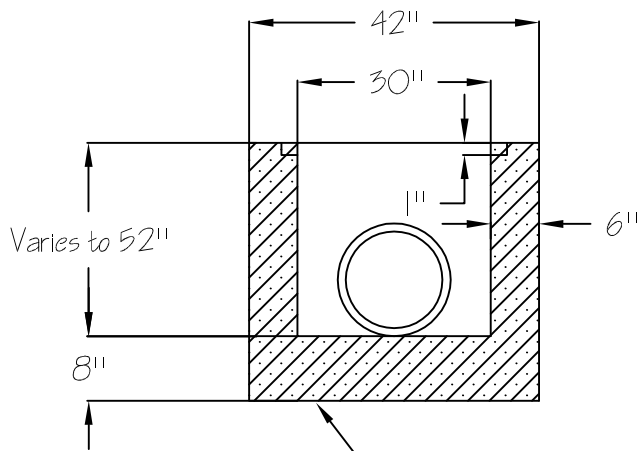
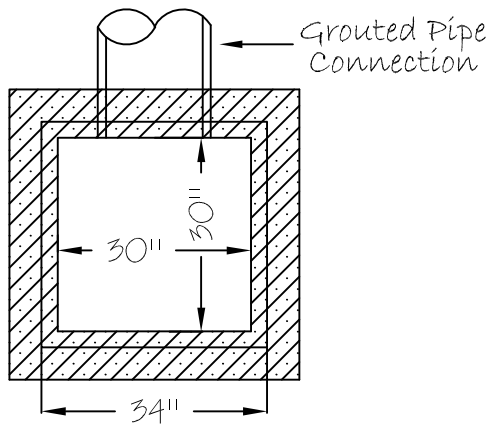
Notes:

1. All concrete to be a minimum of 4500 psi @ 28 days.

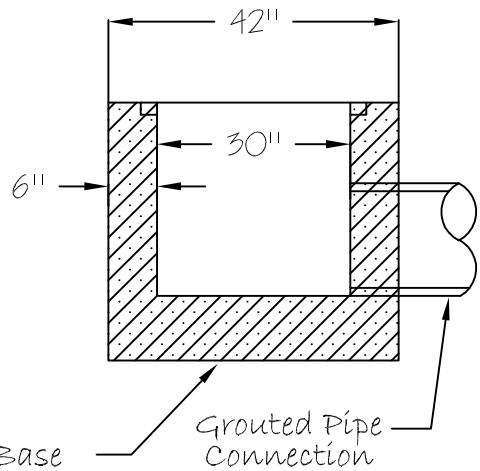
2. Manufactured in accordance with INDOT Spec. 907.04.

3. Pipe Connections available in Non-Shrink Grout by Contractor.

4. Available with a notch in the top to accept a grate.



Poured Reinforced Concrete Base



PRECAST CONCRETE

30"X30" SQUARE INLET



4309 Webster Road
Woodburn IN 46797
Phone: 260-749-5173
Fax: 260-493-2477

6209 Ardmore Ave
Fort Wayne IN 46809
Phone: 260-478-9098
Fax: 260-478-6738

Drawing Name: 30"X30".DWG

Date: 3/4/13

Revised: 3/4/13

Drawn by: Kyle Rothenbuhler

Checked By: Jeff Kiess