

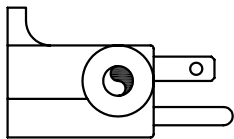
# DOUBLE FLOAT

PAGE  
1

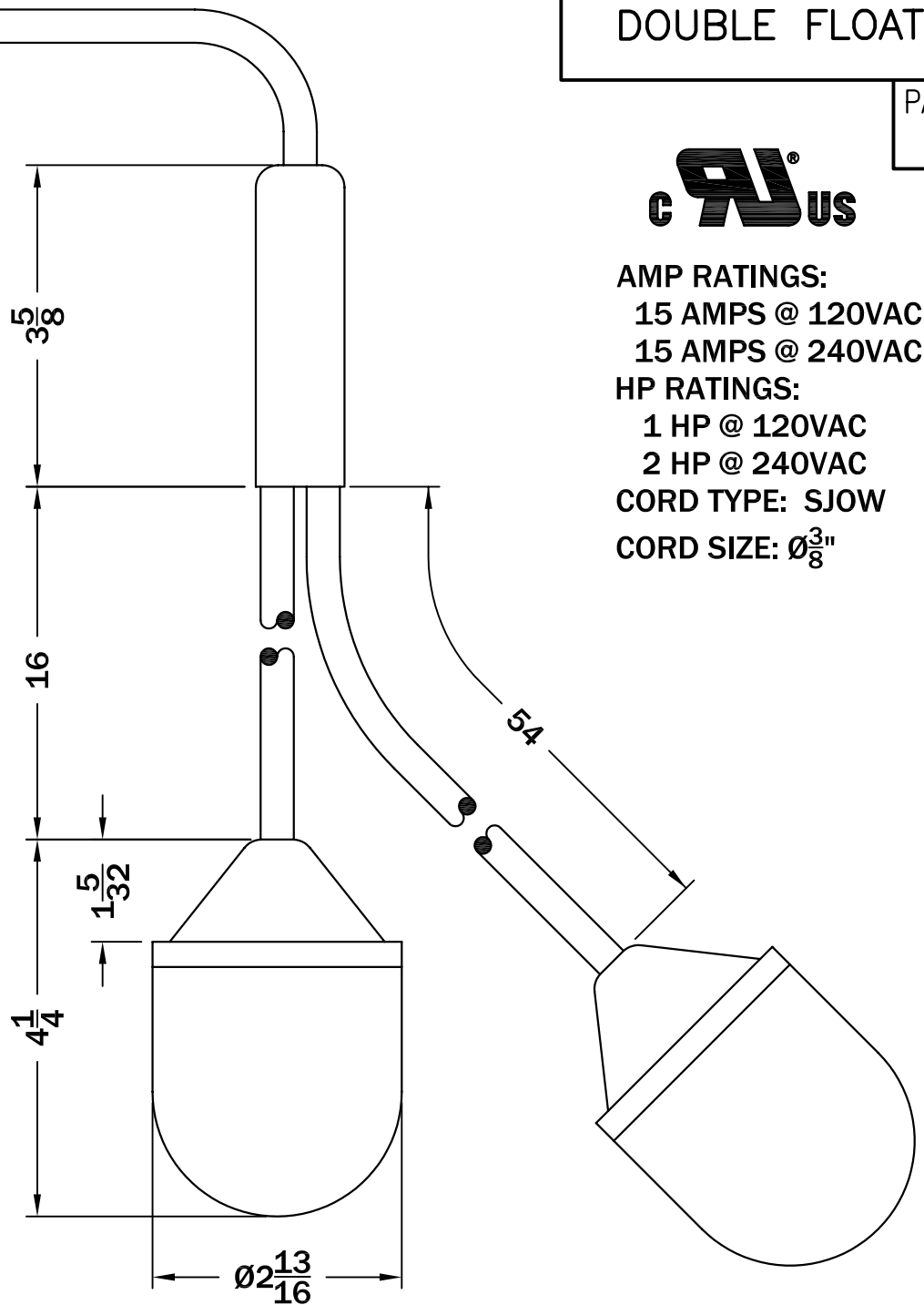
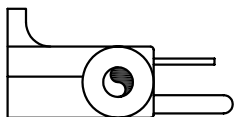


**AMP RATINGS:**  
 15 AMPS @ 120VAC  
 15 AMPS @ 240VAC  
**HP RATINGS:**  
 1 HP @ 120VAC  
 2 HP @ 240VAC  
**CORD TYPE:** SJOW  
**CORD SIZE:**  $\varnothing \frac{3}{8}$ "

115V PIGGYBACK  
PLUG (OPTIONAL)



230V PIGGYBACK  
PLUG (OPTIONAL)



ALL INFORMATION CONTAINED IN THIS DRAWING IS  
CONFIDENTIAL AND PROPRIETARY TO SEPTIC PRODUCTS INC.



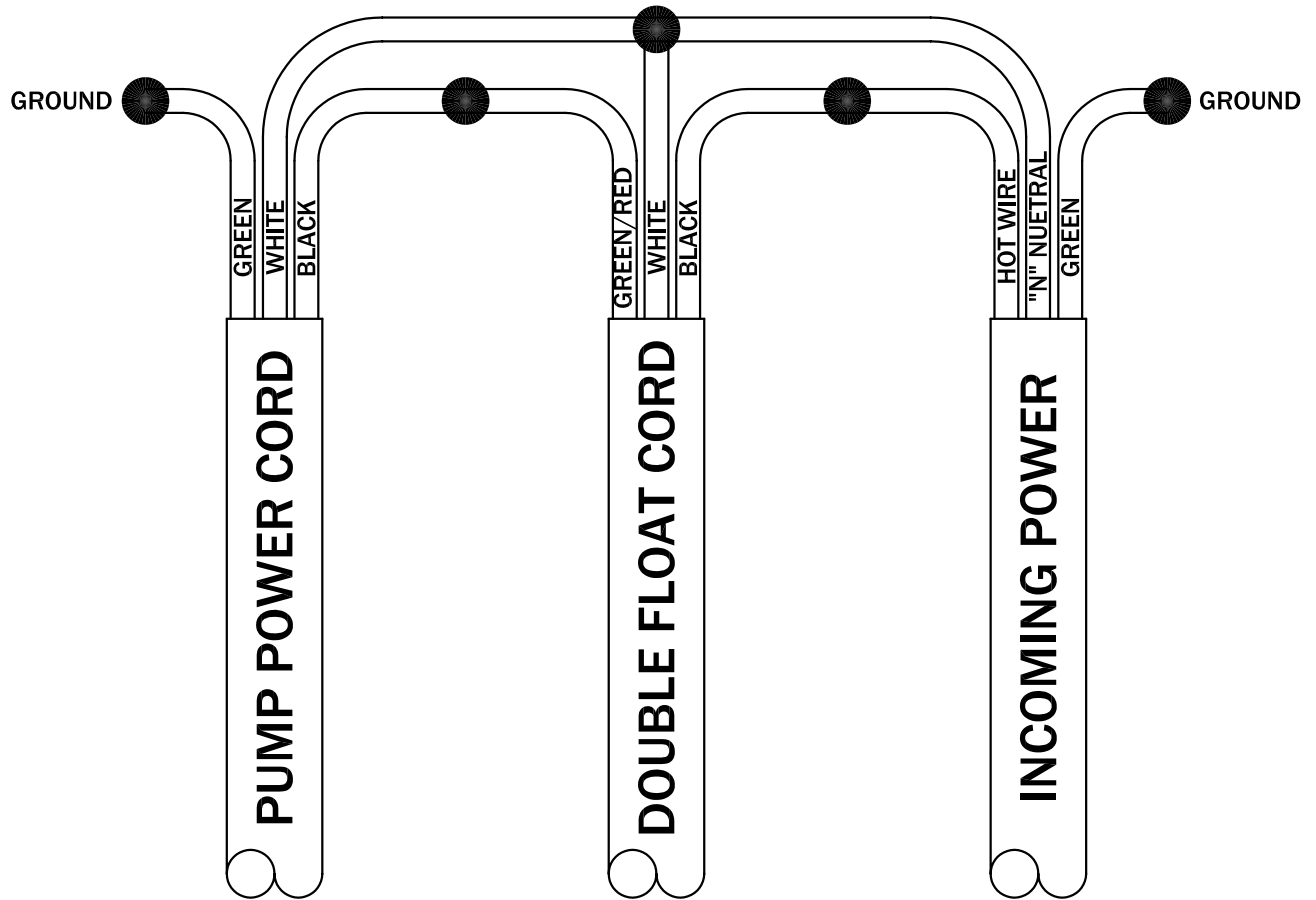
Septic Products Inc.

CHANGES	TOLERANCES	DRAWN BY	DATE	SPECIFICATION SHEET DIMENSIONAL DATA	
F	DECIMALS .XXX = $\pm 0.005$ .XX = $\pm 0.010$ FRACTIONAL X/X = $\pm 1/64$ ANGLES X° = $\pm 1/2$ °	D. MIDDLETON	02/20/04	SCALE:	PART NO.
E		MATERIAL SPECIFICATION:  WIDE ANGLE		HALF	MERCURY
D					
C					
B					
A					

NOTE: ALL ELECTRICAL DIAGRAMS SHOWN ARE EXAMPLES ONLY,  
 CONSULT WITH LOCAL ELECTRICAL AUTHORITIES AND CODES.  
 DO NOT USE THESE PRODUCTS IN GASOLINE, VOLATILES,  
 OTHER COMBUSTIBLES.

**DOUBLE FLOAT**

TYPICAL WIRING 115V



ALL INFORMATION CONTAINED IN THIS DRAWING IS  
 CONFIDENTIAL AND PROPRIETARY TO SEPTIC PRODUCTS INC.



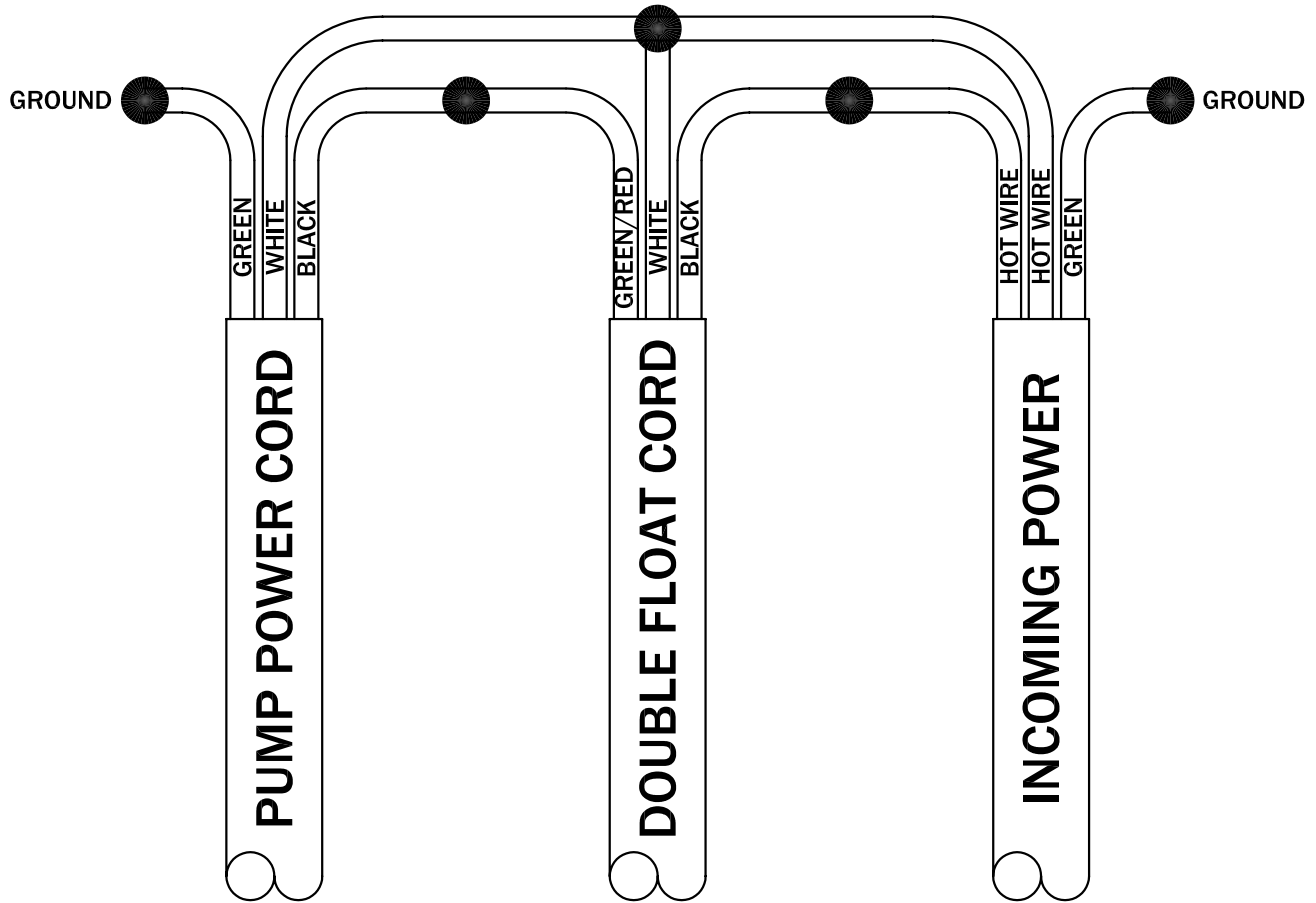
Septic Products Inc.

CHANGES	TOLERANCES	DRAWN BY	DATE	SPECIFICATION SHEET DIMENSIONAL DATA	
F	DECIMALS .XXX = ±.005 .XX = ±.010 FRACTIONAL X/X = ±.1/64 ANGLES X° = ±1/2°	D. MIDDLETON	02/20/04	SCALE:	PART NO.
E		MATERIAL SPECIFICATION:  WIDE ANGLE		NONE	MERCURY
D					
C					
B					
A					

NOTE: ALL ELECTRICAL DIAGRAMS SHOWN ARE EXAMPLES ONLY,  
 CONSULT WITH LOCAL ELECTRICAL AUTHORITIES AND CODES.  
 DO NOT USE THESE PRODUCTS IN GASOLINE, VOLATILES,  
 OTHER COMBUSTIBLES.

**DOUBLE FLOAT**

TYPICAL WIRING 230V



ALL INFORMATION CONTAINED IN THIS DRAWING IS  
 CONFIDENTIAL AND PROPRIETARY TO SEPTIC PRODUCTS INC.



CHANGES	TOLERANCES	DRAWN BY	DATE
F	DECIMALS	D. MIDDLETON	02/20/04
E	.XXX = ±.005	MATERIAL SPECIFICATION:	
D	.XX = ±.010		
C	FRACTIONAL	WIDE ANGLE	
B	x/x = ±.1/64		
A	ANGLES		
	x° = ±1/2°		

<b>SPECIFICATION SHEET DIMENSIONAL DATA</b>	
SCALE:	PART NO.
NONE	MERCURY