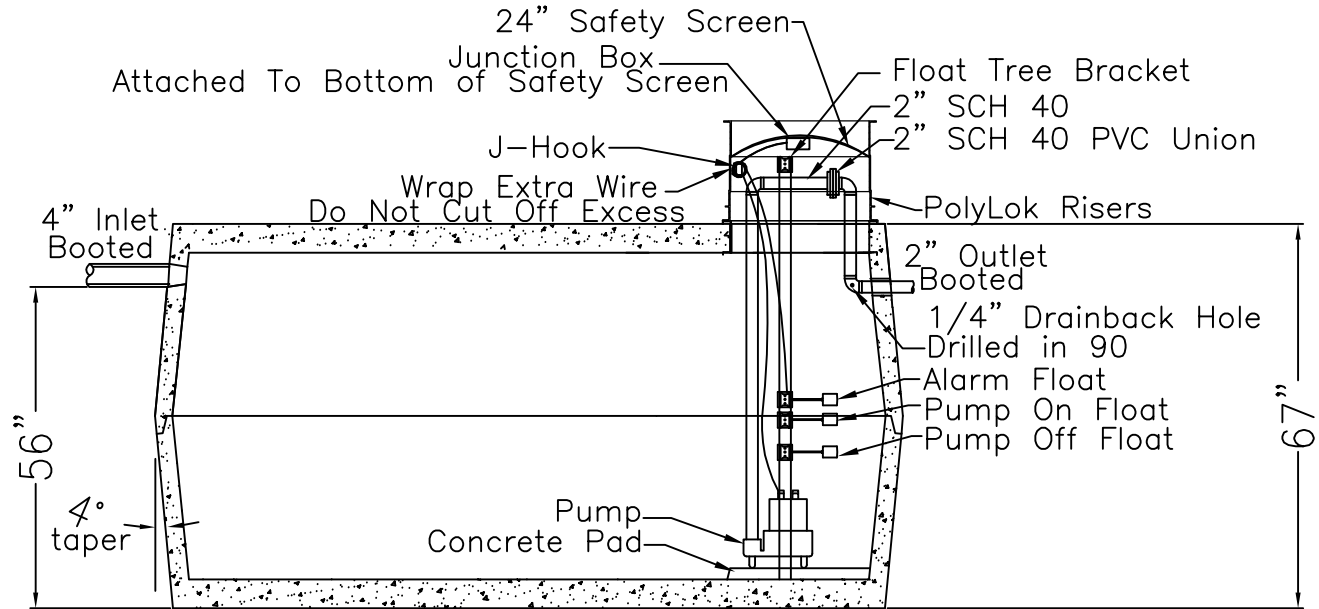


TOP VIEW



SECTION A-A

31.1 Gallons Per Inch
TANK WEIGHT = 16,000#

Notes:

1. Optional tank risers should be ordered to grade.
2. Minimum 4500 psi at 28 days concrete.
3. Reinforcing bars shall conform to ASTM A-615 Grade 60 Steel.
4. All reinforcing bars shall be cut and formed to the dimensional tolerances specified in ACI-315 or ACI-318 except where noted on drawings.
5. All bars shall be bent cold. Bars with kinks and bends not indicated shall not be used. Heating and rebending of bars is not permitted.
6. Reinforcing steel design available upon request.
7. Earth cover: 0'-0" minimum up to 5'-0" maximum.
Size pad according to amount of earth cover.

Drawing Name:
1500 DT
Date:
1/26/15
Revised:

1500 GALLON
PRECAST
DOSING TANK

MIDWEST M TILE &
CONCRETE PRODUCTS, INC.

4309 Webster Road
Woodburn IN 46797
Phone: 260-749-5173
Fax: 260-493-2477

6209 Ardmore Ave
Fort Wayne IN 46809
Phone: 260-478-9098
Fax: 260-478-6738