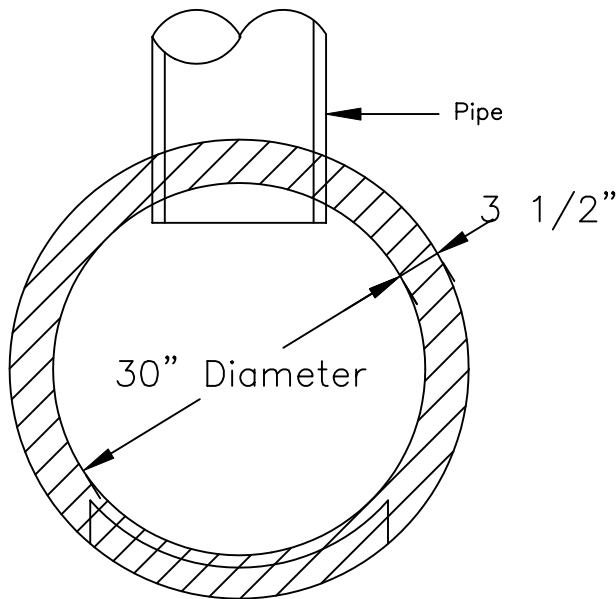


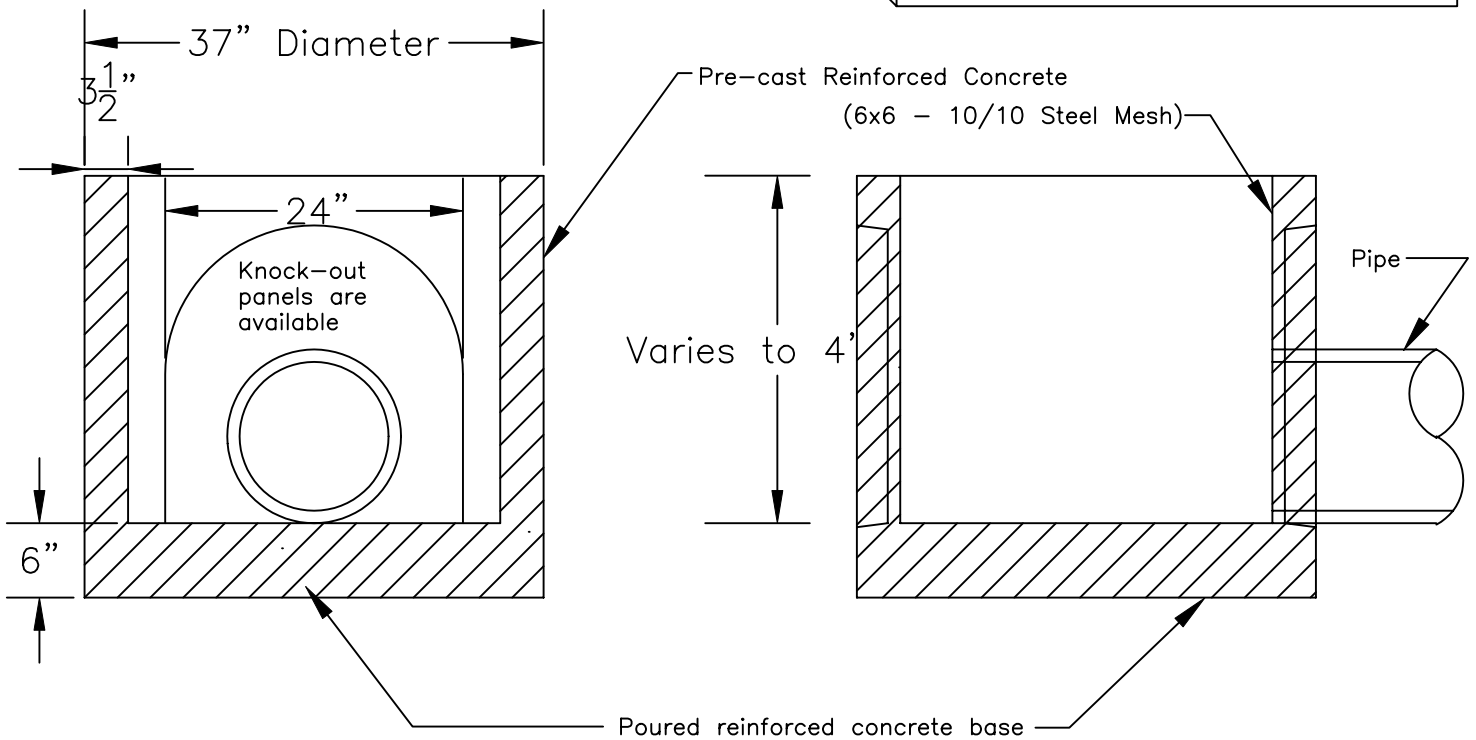
**WEIGHTS:**  
 4' Height = 1950#

NOTE: Reinforcing steel  
 .12 in<sup>2</sup>/ L.F. (Minimum)



**Notes:**

1. All concrete to be a minimum of 4500 psi @ 28 days.
2. Manufactured in accordance with ASTM C-478 and INDOT Spec. 907.04.
3. Manhole joints to be Tongue and Groove with Butyl Rubber sealant or o'ring per ASTM C-443.
4. Manhole steps are 1/2" Steel Reinforced with polypropylene plastic coating at 12" to 16" spacing.
5. Lifting holes require plugging before testing.
6. Pipe Connections available are PSX Boots, A-Lok or Non-Shrink Grout by Contractor.
7. Pre-poured inverts are available on request.
8. All reinforcing steel meets or exceeds ASTM C-478.
9. Base section comes standard with 6" monolithic base. Separate base and Flat Top is available on request. Base section is to be set per job specifications.



PRECAST CONCRETE

MIDWEST **M** TILE &  
 CONCRETE PRODUCTS, INC.

Drawing Name: 30-in.DWG

Date: 3/1/2002

Drawn by Paul Tucker

Checked By: Dan Chiles

30" DIA. INLET

4309 Webster Road  
 Woodburn IN 46797  
 Phone: (260) 749-5173  
 Fax: (260) 493-2477

6209 Ardmore Ave  
 Fort Wayne IN 46809  
 Phone: (260) 478-9098  
 Fax: (260) 478-6738