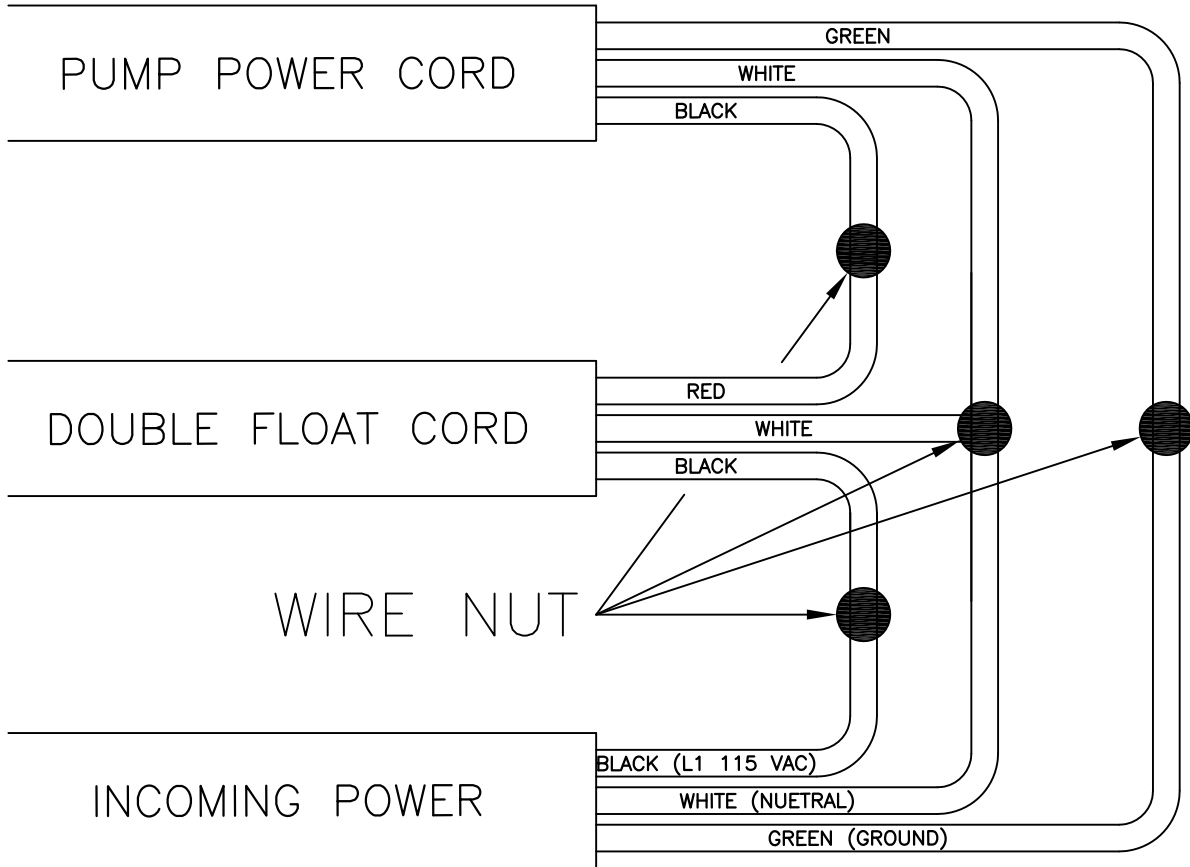


NOTE: ALL ELECTRICAL DIAGRAMS ARE SHOWN AS EXAMPLES ONLY. CONSULT WITH LOCAL ELECTRICAL AUTHORITIES AND CODES. DO NOT USE THESE PRODUCTS WITH GASOLINE OR OTHER COMBUSTABLE SUBSTANCES.

DOUBLE FLOAT

115 VAC CONNECTION DIAGRAM



ALL INFORMATION CONTAINED IN THIS DRAWING IS CONFIDENTIAL AND PROPRIETARY TO SEPTIC PRODUCTS INC.



Septic Products Inc.

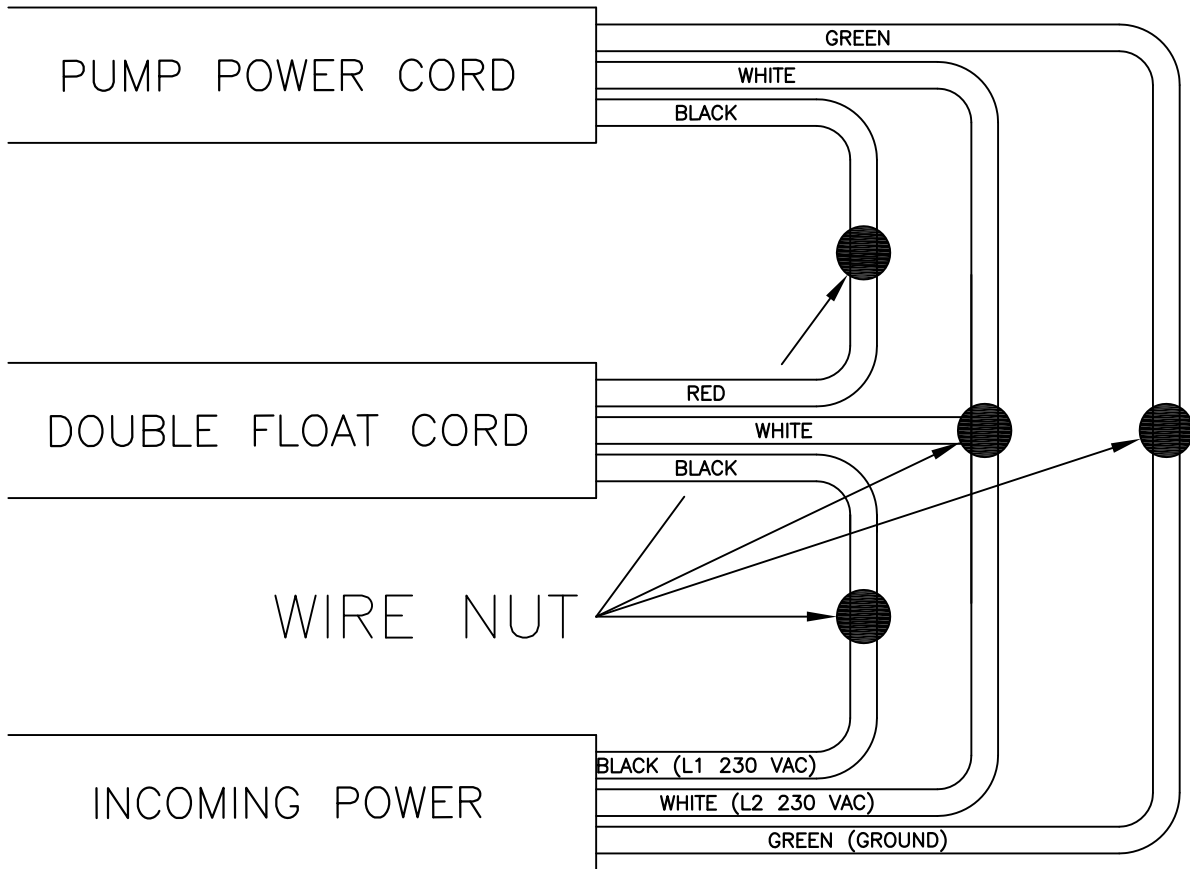
CHANGES	TOLERANCES	DRAWN BY	DATE
F	DECIMALS .xxx = ±.005	C. BARRICK	07/08/09
E	.xx = ±.010	MATERIAL SPECIFICATION: AS NOTED	
D	FRACTIONAL		
C	x/x = ±.1/64		
B	ANGLES		
A	x' = ±1/2"		

115 VAC DOUBLE FLOAT	
SCALE: FULL	PART NO. 20A5xx

NOTE: ALL ELECTRICAL DIAGRAMS ARE SHOWN AS EXAMPLES ONLY. CONSULT WITH LOCAL ELECTRICAL AUTHORITIES AND CODES. DO NOT USE THESE PRODUCTS WITH GASOLINE OR OTHER COMBUSTABLE SUBSTANCES.

DOUBLE FLOAT

230 VAC CONNECTION DIAGRAM



ALL INFORMATION CONTAINED IN THIS DRAWING IS CONFIDENTIAL AND PROPRIETARY TO SEPTIC PRODUCTS INC.



Septic Products Inc.

CHANGES	TOLERANCES	DRAWN BY	DATE
F	DECIMALS .xxx = ±.005	C. BARRICK	07/08/09
E	.xx = ±.010	MATERIAL SPECIFICATION: AS NOTED	
D	FRACTIONAL		
C	x/x = ±.1/64		
B	ANGLES		
A	x' = ±1/2"		

230 VAC DOUBLE FLOAT	
SCALE:	PART NO.
FULL	20A5xx