

WEIGHTS:

4' Height = 4500#

Additional 1' of Height = 900#

NOTE: Reinforcing steel as per
INDOT Specifications

Minimum 4500 PSI Concrete

INDOT J, K, & M Per INDOT Spec. 907.04

Notes:

1. All concrete to be a minimum of
4500 psi @ 28 days.

2. Manufactured in accordance with
ASTM C-478 and INDOT Spec. 907.04.

3. Manhole joints to be Tongue and
Groove with Butyl Rubber sealant or
o'ring per ASTM C-443.

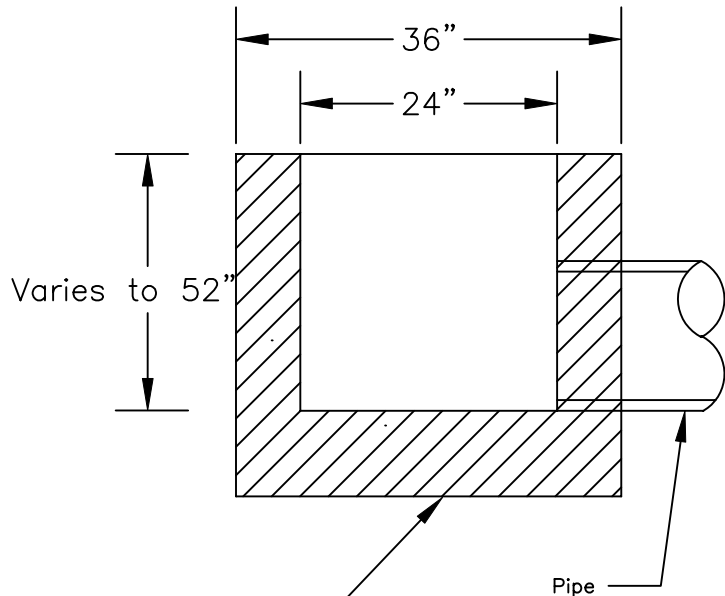
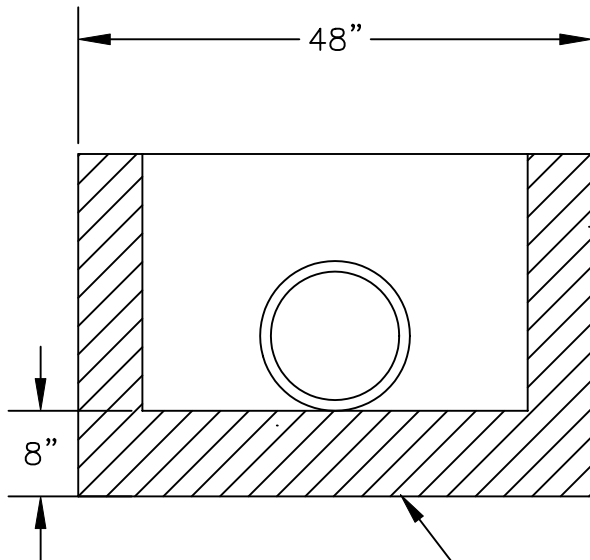
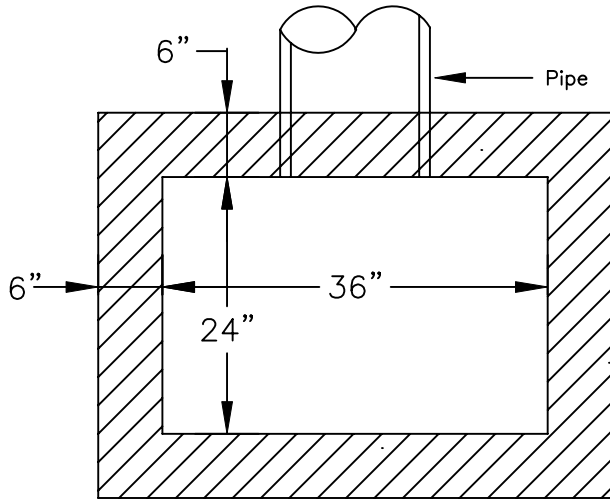
4. Manhole steps are 1/2" Steel
Reinforced with polypropylene plastic
coating at 12" to 16" spacing.

5. Lifting holes require plugging before
testing.

6. Pipe Connections available are PSX
Boots, A-Lok or Non-Shrink Grout by
Contractor.

7. Pre-poured inverts are available on
request.

8. All reinforcing steel meets or
exceeds ASTM C-478.



Poured reinforced concrete base

Pipe

PRECAST CONCRETE

2' x 3' INLET

MIDWEST **M** TILE &
CONCRETE PRODUCTS, INC.

4309 Webster Road
Woodburn IN 46797
Phone: (260) 749-5173
Fax: (260) 493-2477

6209 Ardmore Ave
Fort Wayne IN 46809
Phone: (260) 478-9098
Fax: (260) 478-6738

Drawing Name: 2x3-in.DWG

Date: 3/1/2002

Drawn by Paul Tucker

Checked By: Dan Chiles